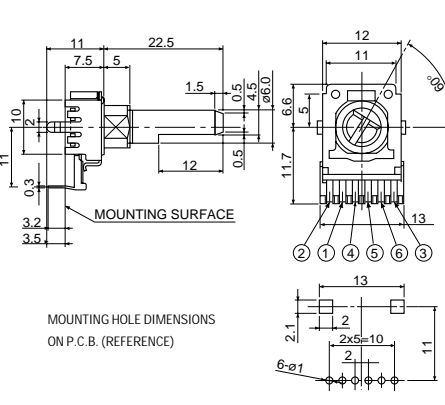
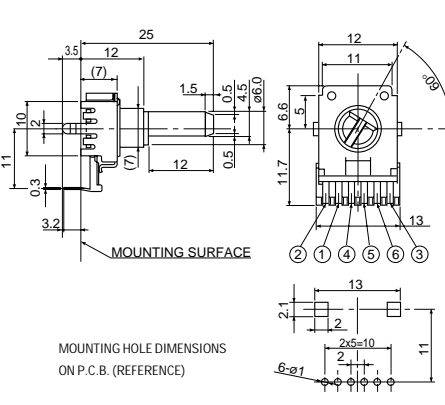
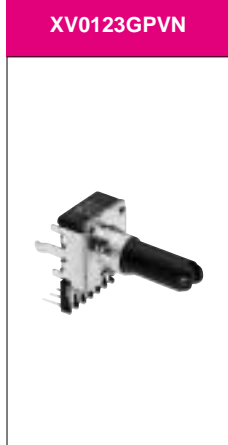
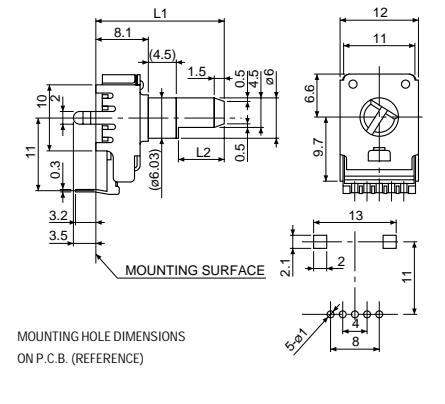
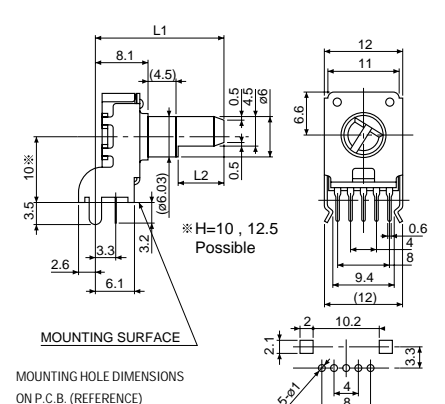
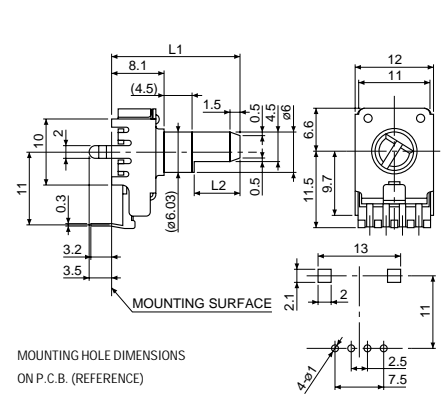
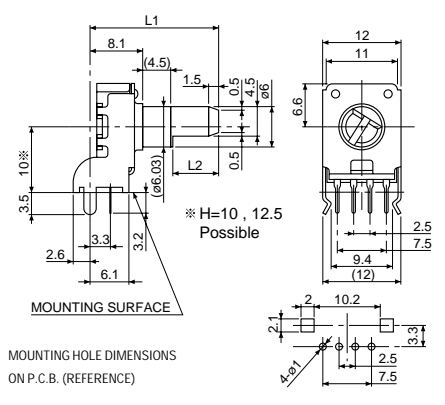
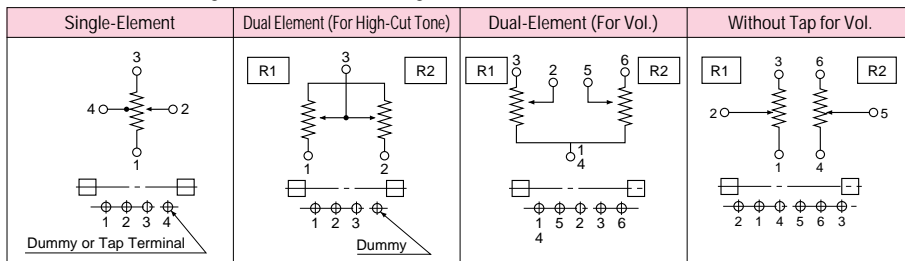


# 12mm Size Snap-In Insulated Shaft Potentiometers

## 12mm Size, Mounting Detail and Circuit Diagram.



	XV0121,XVB121	XV0121G,XVB121G	XV0122G,XVB122G,XV0123G,XVB123G
Total Rotational Angle	300±5°	300±5°	300±5°
Rotational Torque	3-20mN · m (31+204gf · cm)	3-20mN · m (31+204gf · cm)	3-20mN · m (31+204gf · cm)
Resistance Range	5kΩ-500kΩ	5kΩ-50kΩ	5kΩ-500kΩ
Rated Power	0.05W	1mA A.C. only	0.05W
Maximum Rated Voltage	AC 50V,DC 20V	AC 30V(For A.C. only)	AC 30V(For A.C. only)
Center Detent	●	●	●
Center Tap	●	—	—

Consult us for standard shafts.



• Specifications in this catalog are presented basically for informative purposes.  
 We request the exchange of official approval drawings before placing order.